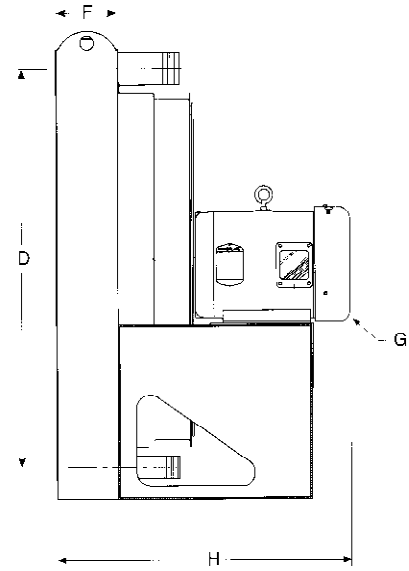
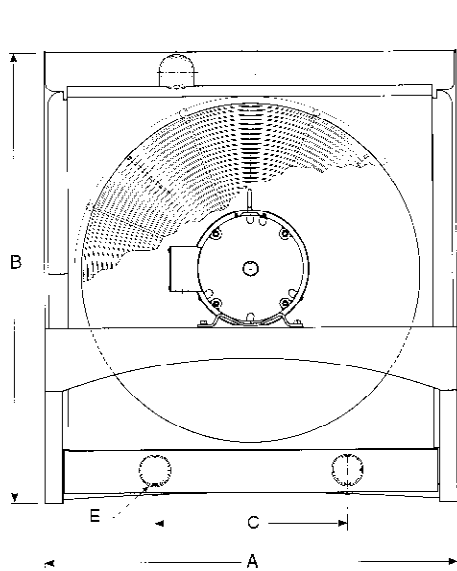
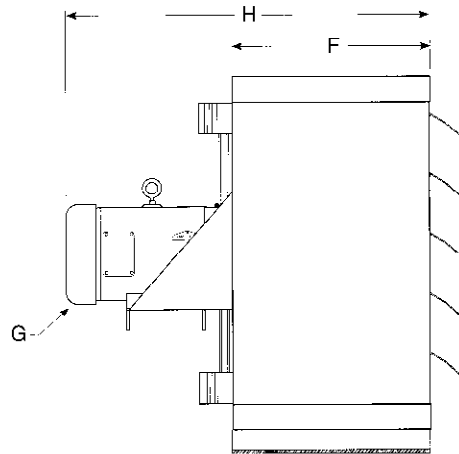
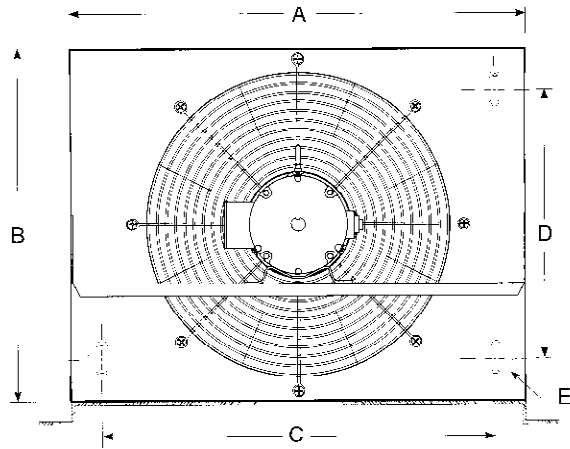


REPLACEMENT IDENTIFICATION *air / oil*



AOCS Series



AC / AOCH Series

- A Width _____
- B Height _____
- C Center to Center of Ports _____
- D Center to Center of Ports _____
- E Port Size _____
- F Depth of Core / Cabinet _____
- G Motor Type Electric Hydraulic
- H Total Depth _____
- I Fan Diameter _____
- J Motor Horse Power _____

If Available:

- Manufacturer _____
- Model Number _____
- Liquid Flow Rate _____
- Fluid Type _____

Comments _____

note: AIHT reserves the right to make reasonable design changes without notice.